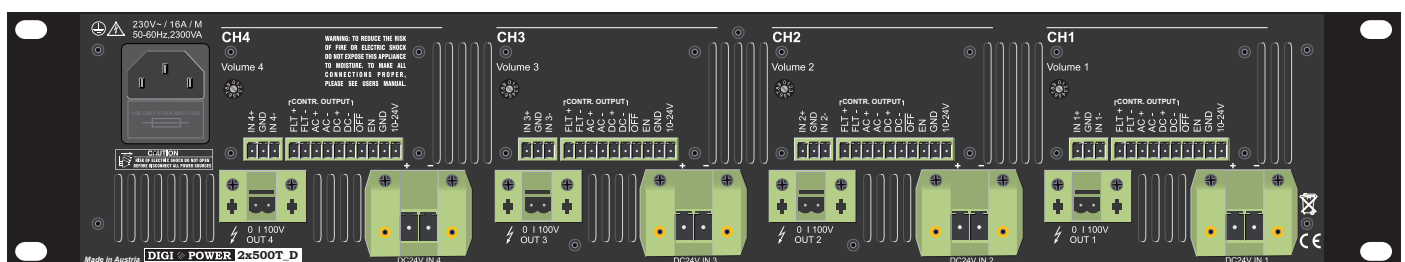
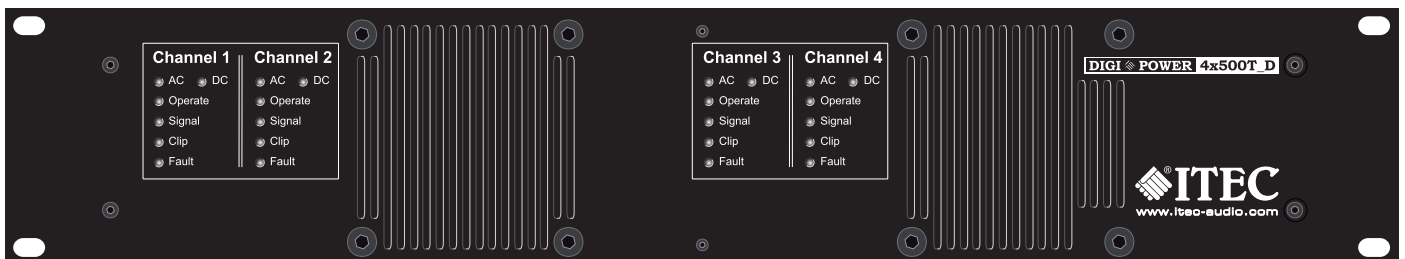


System component: DIGIPOWER 4x500T_D



- 230 VAC and 24 VDC power supply with automatic switching
- Separate power supply per amplifier channel
- Automatic standby mode
- Control LEDs for all signal and operating conditions
- Monitoring contacts for power amplifier, AC and DC supply
- 100 V direct outputs
- Balanced inputs
- 4 channels in 2U/19" housing
- Installation depth 322 mm
- All connections with plug-in terminals
- Protection circuits: Automatic shutdown in the event of overtemperature, overload and hhort circuit of the speaker lines

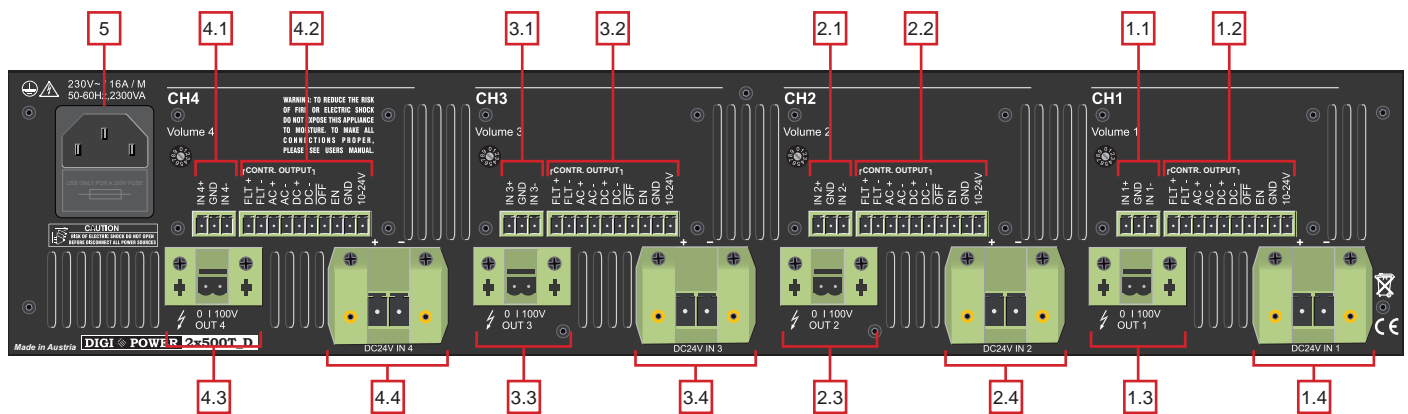


DIGIPOWER 4x500T_D

Four-channel digital power amplifier with 4x500W nominal power for professional electroacoustic voice alarm systems. The electronic protective circuits ensure the necessary safety of the amplifier. In case of a power failure automatically switched to emergency power operation (battery 24V).

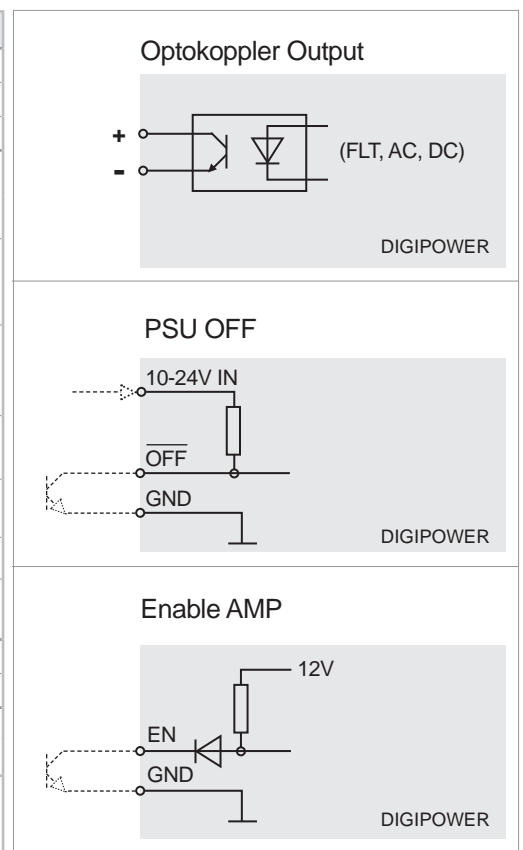
A very reliable electronics design guarantees uncompromising transmission quality and long-term trouble-free operation. Thanks to digital signal processing, up to 90% efficiency and hardly any waste heat.

- Temperature dependent fan control
- Monitoring contacts for all channels
- Digital amplifier design
- Installation depth of 322 mm
- Level control for each channel on the back
- All operating states are indicated by LEDs

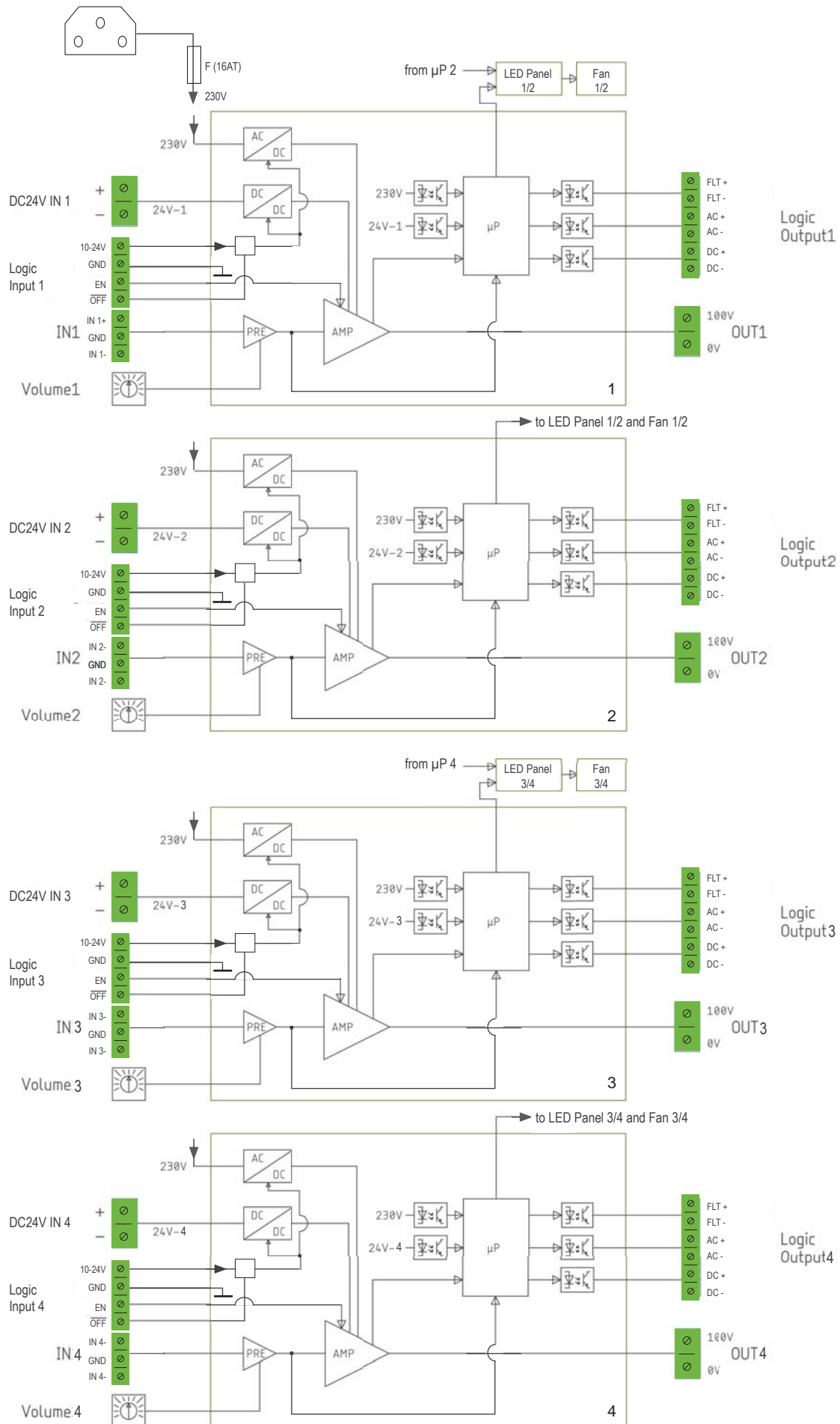


Klemmenbezeichnung

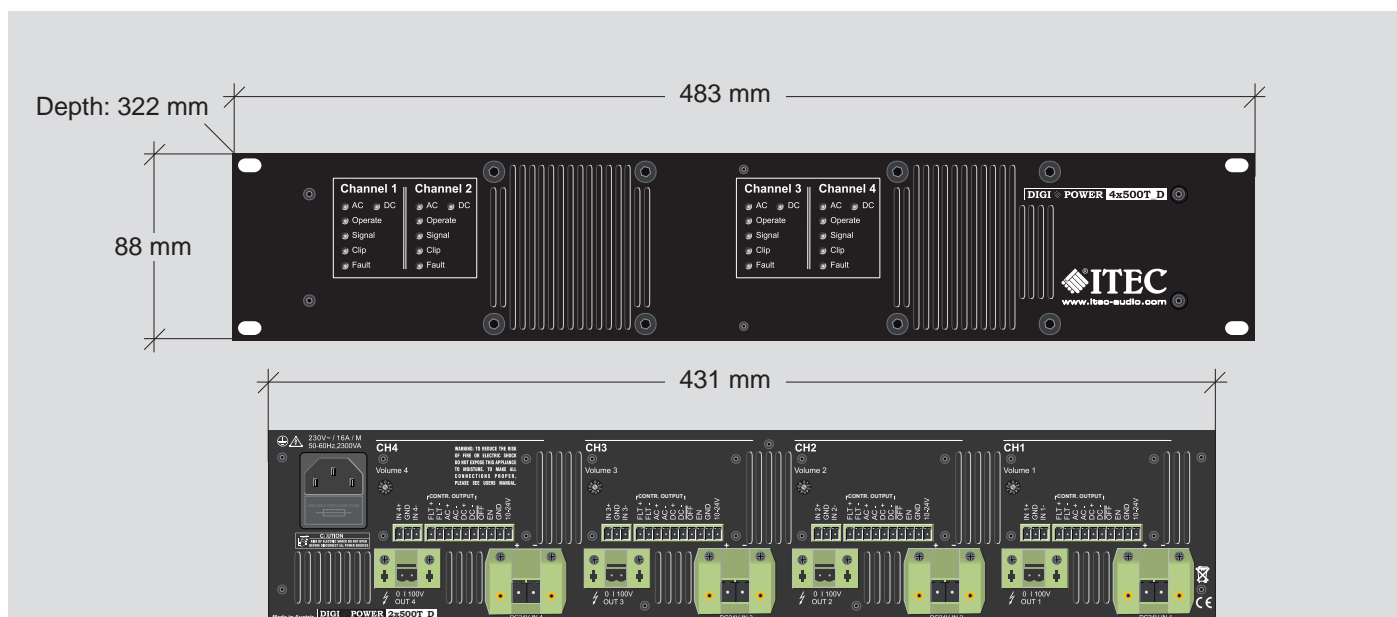
Klemmenblock	Pin	Bez.	Beschreibung
Audio In	1	IN+	Audio Input +
	2	GND	Ground/Schirmung
	3	IN-	Audio Input -
Digital I/O	1	FLT+	Collector AMP fault Optokoppler Output OK=closed, Fault=open
	2	FLT-	Ermitter
	3	AC+	Collector 230 VAC fault Optokoppler Output OK=closed, Fault=open
	4	AC-	Ermitter
	5	DC+	Collector 24 VDC fault Optokoppler Output OK=closed, Fault=open
	6	DC-	Ermitter
	7	OFF	PSU OFF open = PSU on, GND = PSU off
	8	EN	Enable – Input (Pullup intern) offen = enabled; GND = disabled
	9	GND	
	10	10-24V	External 10-24V supply is required for the „OFF“ function
OUT 0/100V	1	0V	Audio Output -
	2	100V	Audio Output +
DC 24V IN	1	DC 24V IN +	24 VDC power supply
	2	DC 24V IN -	
230 V		L	230 VAC power supply
		PE	
		N	



ITEC DIGIPOWER 4x500T_D BLOCK DIAGRAM



DIGIPOWER 4x500T_D - SPECIFICATIONS



	Min.	Typ.	Max.
Power supply AC	85 VAC	230 VAC	265 VAC
Current consumption 230 VAC Sinus 100V @ 20 Ohm		11 A	
Current requirement 230 VAC Sinus 100V @ 20 Ohm		2500 W	
Power supply DC	21 VDC	24 VDC	27.6 VDC
Current consumption 24 VDC Sinus 100V @ 20 Ohm		4 x 26 A	
Current requirement 24 VDC Sinus 100V @ 20 Ohm		4 x 625 W	
Current requirement Standby @ 230 VAC		28 W	
Current requirement Standby @ 24 VDC		4 x 7 W	
Current requirement Off		0.1 W	
Output power (RMS, 20 Ohm, 100V) @ 230 VAC	4 x 500 W		
Output power (RMS, 20 Ohm, 100V) @ 24 VDC	4 x 500 W		
THD + N (20Hz – 20kHz, 100mW – 100W, 100 Ohm)			0.1 %
External voltage distance (A-weighted)		102 dB	
Input resistance (each channel)		10 kOhm	
Frequency response (-3dB)	10 Hz	-	30 kHz
Voltage gain		42.2 dB	
Maximum output voltage		105 V _{RMS}	
General technical data			
Dimensions (WxHxD)	483 mm x 88 mm x 322 mm		
Weight	6,1 kg		

All Informations without guarantee. Subject to technical changes.