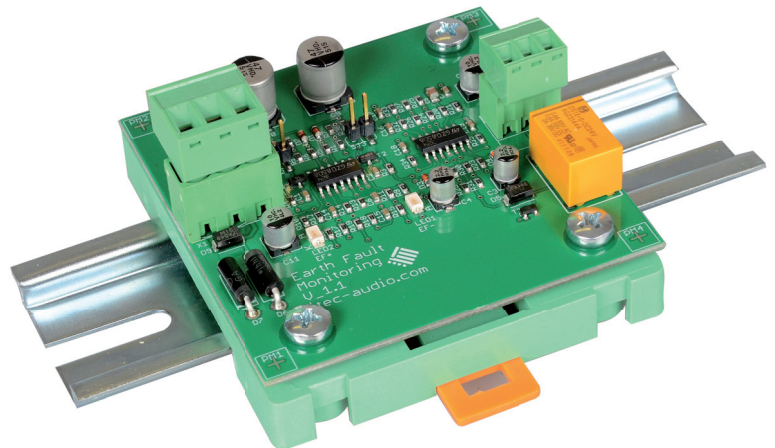


System component: EARTH FAULT MONITORING

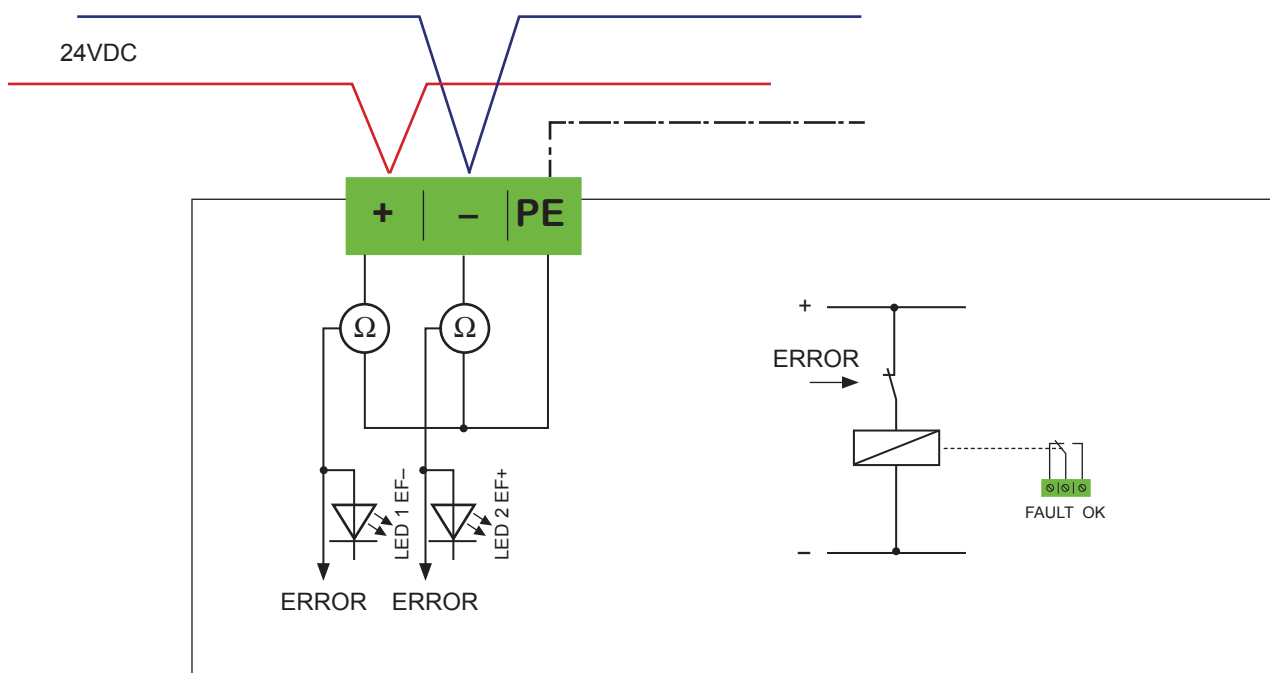
ITEC EARTH FAULT MONITORING is a module for the monitoring of 24 volts power supply cables for remote system components (eg callstations). IT measures the resistance of both lines compared with the protective conductor (PE).

In accordance with the relevant standards a ground fault error is detected when a resistance of $<50\text{ k}\Omega$ against protective conductor is measured. A fault message is performed by relay contact and is indicated on the board by a LED.

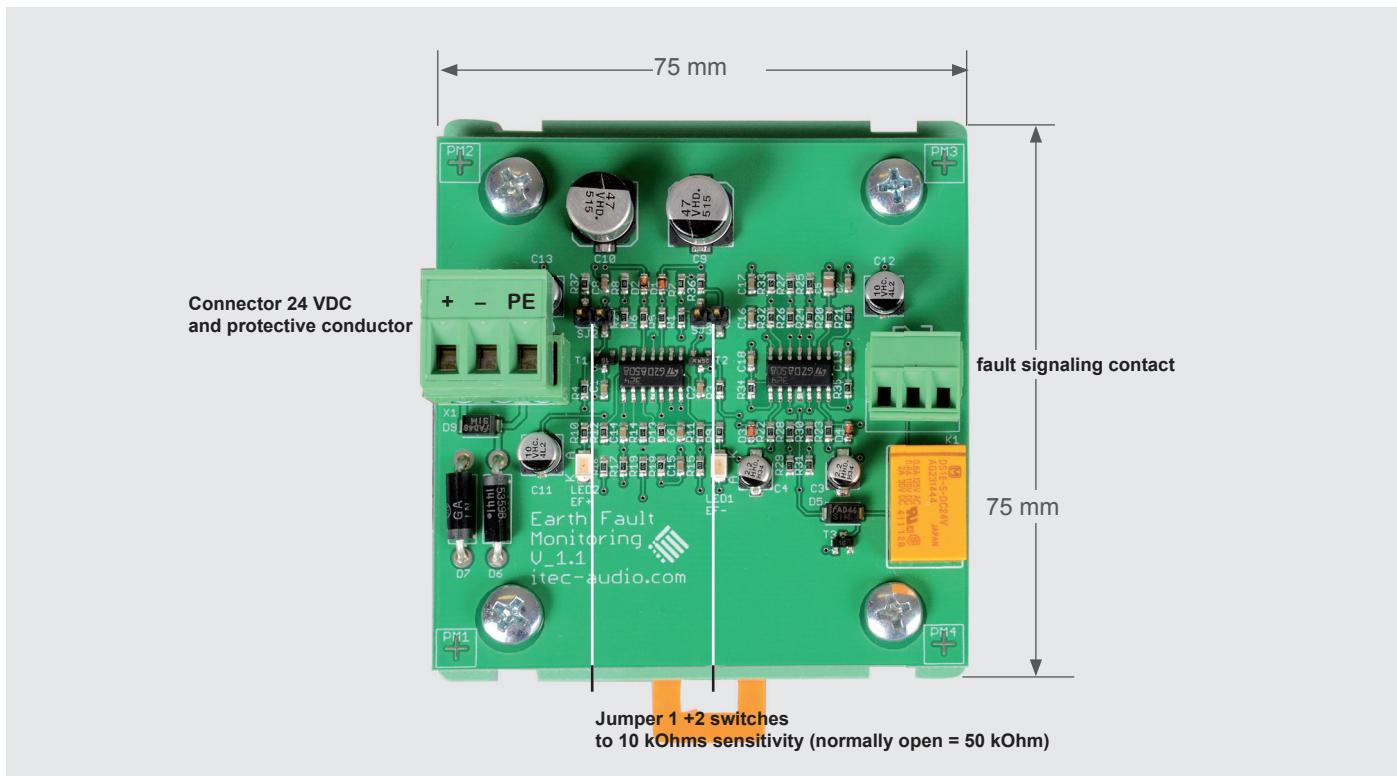


- Open Frame module for the installation in a system cabinet.
- Easy installation, prepared for DIN-rail 35 mm.
- All connections on plug terminal blocks.
- Collective fault at relay changeover contact (Fault / OK).
- Switch to lower sensitivity (10k) by jumper setting.

BLOCK DIAGRAM



EARTH FAULT MONITORING - SPECIFICATIONS



POWER SUPPLY	24VDC (= the voltage to be monitored)
CURRENT	ca. 100 mA
THRESHOLD	50 kOhms (10 kOhms if JP1 and JP2 closed)
RELAY CONTACT	max. 48 Volt / 500 mA
DESIGN	Open Frame module for cabinet installation
OPERATING TEMPERATURE	-5°C - +40°C
DIMENSIONS	75 x 70 x 40 mm (height x width x depth)
WEIGHT	0,1 kg
MOUNTING	DIN-rail 35 mm

All information without guarantee. Subject to technical changes.